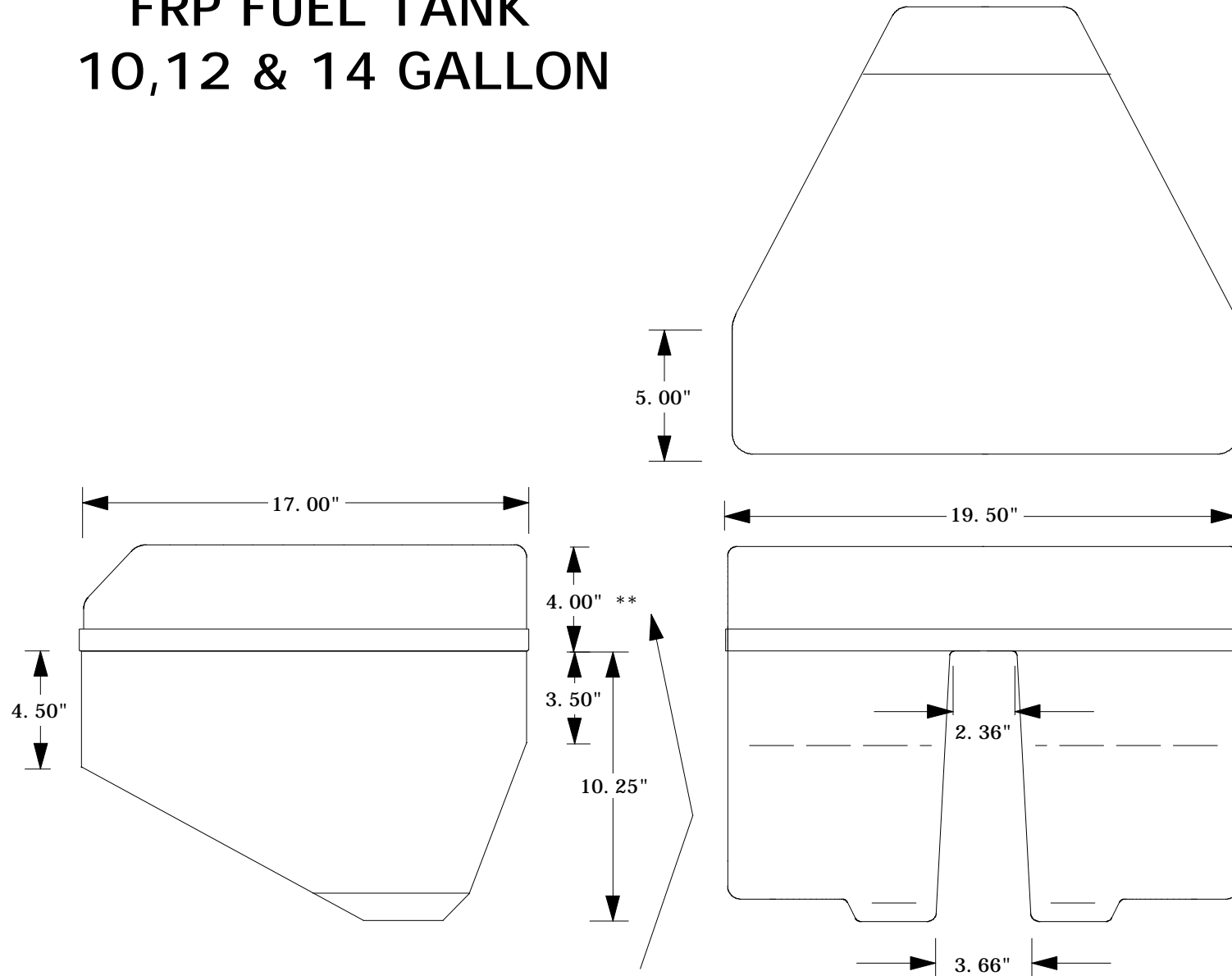


FRP FUEL TANK 10,12 & 14 GALLON



** = Volume
 4" = 10 Gallon
 5" = 12 Gallon
 6" = 14 Gallon