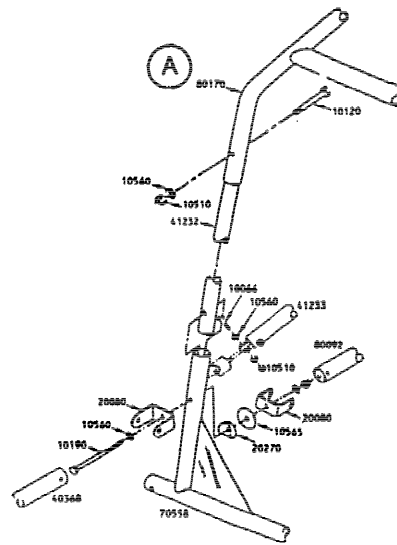
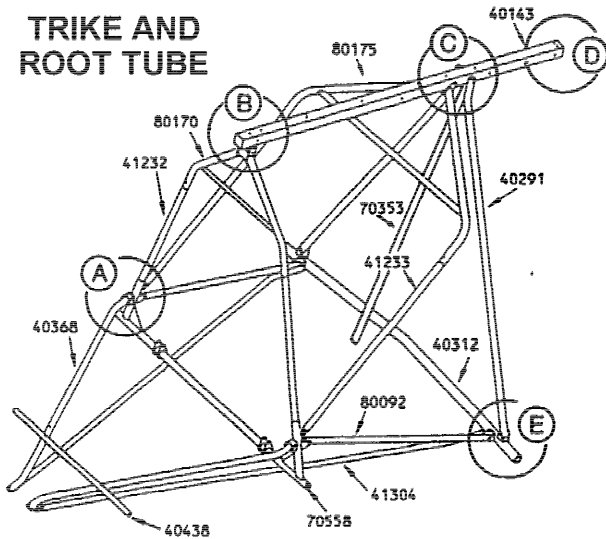


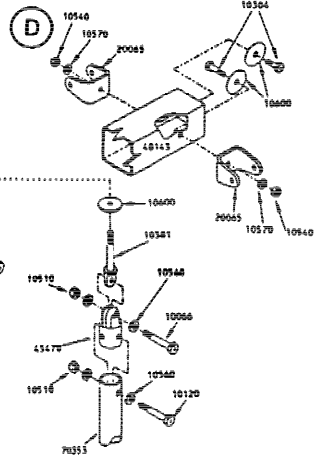
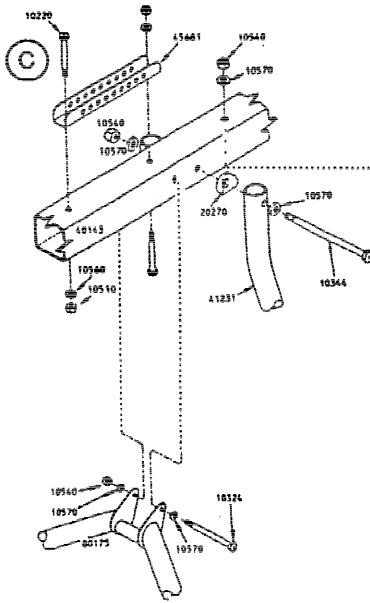
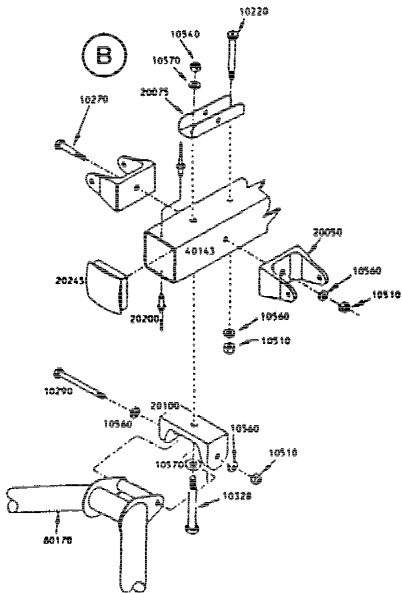
Top Mt. Airframe Conv. for Sprint & Sport - 99335

TRIKE AND ROOT TUBE



99335-101

- 10024 AN3-10A
- 10040 AN3-15A
- 10056 AN3-27A
- 10064 AN4-11A
- 10080 AN4-13A
- 10100 AN4-14A
- 10120 AN4-15A
- 10150 AN4-17A
- 10170 AN4-20A
- 10220 AN4-24A
- 10305 AN5-10A
- 10324 AN5-27A
- 10381 AN44B-24A
- 10392 Screw
- 10441 Clevis Pin
- 10450 Clevis Pin
- 10472 T-Handle Pin
- 10500 F7110, Metal Stop Nut
- 10510 F7115, Metal Stop Nut
- 10516 AN364-1032A
- 10540 F7120, Metal Stop Nut
- 10550 AN960-316, Flat Washer
- 10560 AN960-416, Flat Washer
- 10570 AN960-516, Flat Washer
- 10600 AN970-5
- 10635 AN380-2-2
- 11075 Screw
- 20065 Channel
- 20075 Channel
- 20155 Cable Bushing
- 20200 Rivet
- 20239 Fairlead
- 20245 Plastic Cap
- 20345 Washer
- 20432 Clamp
- 40270 Fork, .875
- 45470 Fork
- 45681 Kingpost Channel
- 45694 Kingpost Plate
- 45717 Top Kingpost Fitting
- 45718 Base Kingpost Fitting
- 45857 Spacer
- 70580 Control Stick Grip
- 91206-01 Copper Tubing
- 91217 End Cap
- 91292 Plate
- 91293 Cable
- 91300 Brake Lever



CERTAIN PARTS NOT SHOWN FOR CLARITY

99335-102

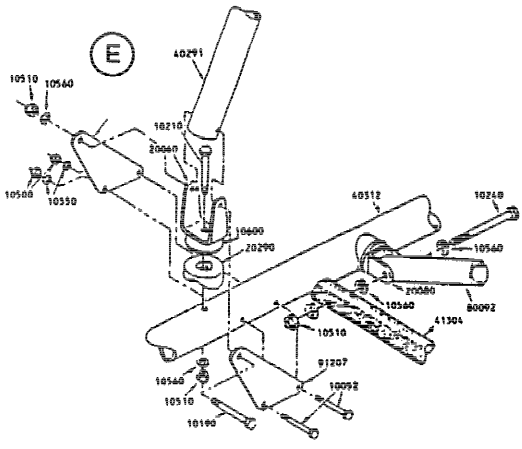
- 20481 Wire
- 20598 Wing Cable, Left, Upper Set
- 20599 Wing Cable, Rt, Upper Set
- 21559 Wing Cable
- 21572 Wing Cable
- 91132 Rudder Cable
- 91133 Rudder Cable
- 91214 Conduit
- 912-04 Assembly Instructions

99335-103

- 40143 Root Tube, Sport II
- 40204 Kingpost Forward Tube
- 40205 Kingpost Aft Tube
- 40368 Nose Strut
- 40449 Control Stick
- 41304 Tension Strut
- 70353 Seat Support Down Tube
- 80025 Elevator Tube
- 80092 Axle Strut
- 80130 Spacer

99335-104

- 41232 Tri-Bar Down Tube
- 41233 Aft Tri-Bar Down Tube
- 41304 Tension Strut
- 70558 Tri-Bar Cross Tube
- 80175 Aft Tri-Bar, Upper



Top Mount Features:

- Engine on top;
- New, longer trike assembly;
- No nose wire;
- Steel nose strut;
- Brake handle on stick for main wheels;
- Full steel tri-bar;
- Dual kingpost on top;
- Rotax 503 CDI or Rotax 582 CDI fan-cooled dual carb with gearbox standard